



PCN

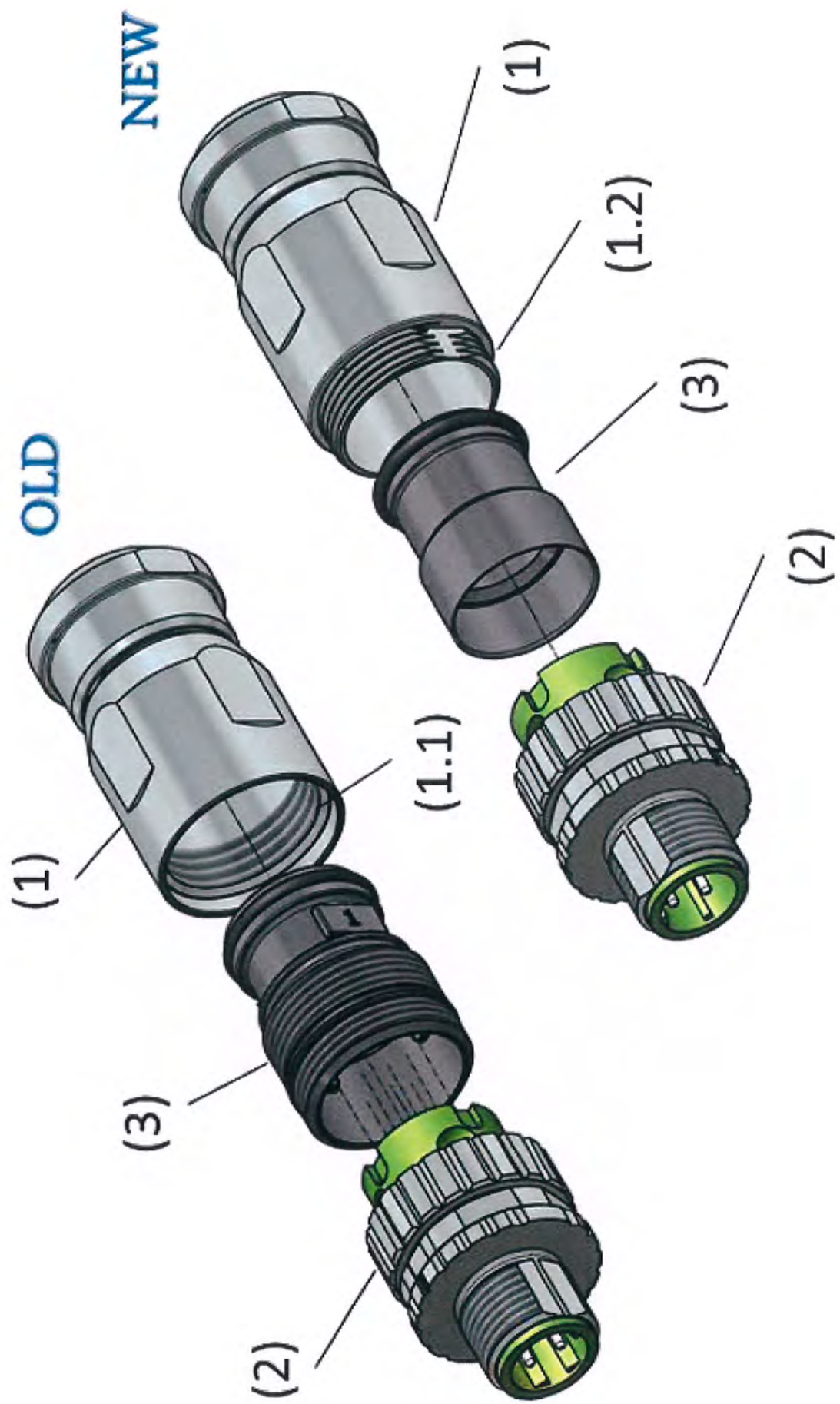
Product Change Notification

PCN-no. A6437

Product:	M12x1 field attachable shielded	Date of Publikation:	2016-12-02
Product Specifications:	See Appendix		
Description of Change:	Shield connection from housing to house screw connection		
Type of Change:	Major Change (A) Two components (Housing and insulating sleeve) will change. The installation procedure will change slightly.		
Reason of Change:	The diecast molds reached end of life and needs to be replaced by new molds. Thus the shield connection from the housing to the house screw connection is improved.		
Implementation date:	Q2 2017		
Originator:	Werner Schmidt, R&D-Manager SAL		
Customer information:	The shield connection from the housing (1) to the house screw connection (2) of the existing version (OLD) is made just from the front side of both parts. Through the change, an outer thread (1.2) is designed to the housing (1) and connect the shield to the house screw (2) through the thread. Thus, a safe connection of the shield from the housing to the house screw is ensured. At the same time the insulation sleeve (3) is modified in that way that the thread is removed a does not need to be screwed into the housing any mode. This results into a simplified installation of the connector.		

FB 405 – Product Change Notification– Rev. 01 vom 18.11.2009 / QMB

PCN Revision History:		
Date of Revision	Revision Number	Reason
08.12.16	A	A6437



PCN Ä6437

Artikelnr.

43-00040
43-00041
43-00042
43-00043
43-00044
43-00045
43-00046
43-00047
43-00048
43-00049
43-00050
43-00051
43-00052
43-00053
43-00054
43-00055
43-00072
43-00073
43-00074
43-00075
43-00076
43-00077
43-00078
43-00079
43-00080
43-00242
43-00081
43-00113
43-00114
43-00115
43-00116
43-00117
43-00118
43-00119
43-00128
43-00129
43-00136
43-00137
43-00146
43-00147
43-00160
43-00161
43-00163
43-00164
43-00165
43-00183
43-00184
43-00185
43-00210
43-00211
43-00212
43-00213
43-00214
43-00215

43-00216
43-00217
43-00226
43-00227
43-00228
43-00229
43-00230
43-00231
43-00255
43-00265
43-00266
43-00280
43-00281
43-00282
43-00283
43-00284
43-00285
43-00292
43-00293
43-00294
43-00295
43-00296
43-00297
43-00298
43-00308
43-00309
43-00310
43-00311
43-00312
43-00313
43-00314
43-00320
43-00321
43-00322
43-00323
43-00324
43-00325
43-00326
43-00329
43-00330
43-00331
43-00332
43-00333
43-00336
43-00337
43-00356
43-00357
43-00362
43-00380
43-00381
43-00382
43-00383
43-00384
43-00385
43-00386
43-00387

43-00388
43-00389
43-00404
43-00406
43-00407
43-00408
43-00428
43-00446
43-00469